

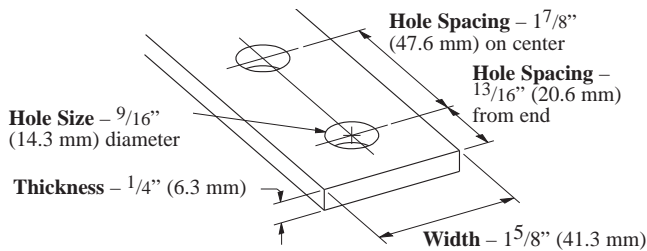
Wing Fittings

FITTINGS

This section offers a full selection of fittings and accessories to complete metal framing system. Fittings are made from hot rolled, pickled and oiled plate or strip steel in accordance with ASTM A1018 33,000 PSI min. yield, unless noted.

Dimensions

The following dimensions apply to all fittings except as noted:



Materials & Finishes (Unless otherwise noted)

Finish Code	Finish	Specification
PLN	Plain	ASTM A1018 33,000 PSI min. yield
ZN	Electro-Plated Zinc	ASTM B633 SC3 Type III
GRN	Dura-Green	TT-C-490B
HDG	Hot-Dipped Galvanized	ASTM A123
SS4	Stainless Steel Type 304	ASTM A240
SS6	Stainless Steel Type 316	ASTM A240

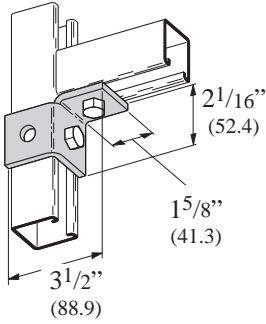
Note: A minimum order may apply on special material and finishes.

Recommended Bolt Torque

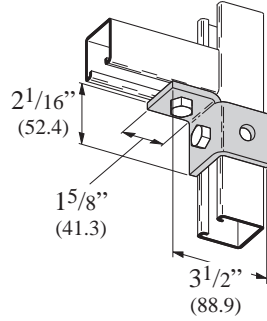
Bolt Size	$\frac{1}{4}$ "-20	$\frac{5}{16}$ "-18	$\frac{3}{8}$ "-16	$\frac{1}{2}$ "-13
Foot/Lbs.	6	11	19	50
Nm	8	15	26	68

WING-FITINGS

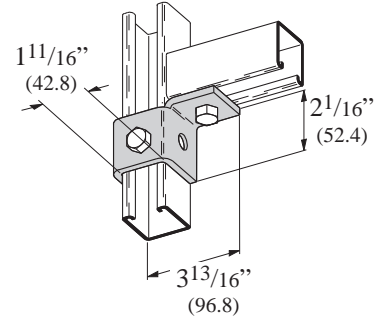
P267R
THREE HOLE SINGLE CORNER CONNECTION (RIGHT HAND)
 •Standard finishes: ZN, GRN



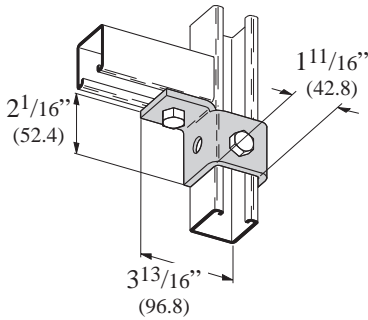
P267L
THREE HOLE SINGLE CORNER CONNECTION (LEFT HAND)
 •Standard finishes: ZN, GRN



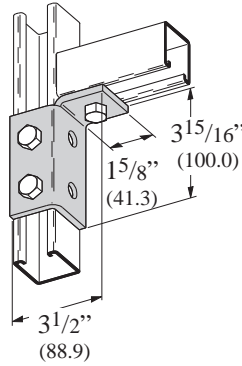
P270R
FOUR HOLE SINGLE CORNER CONNECTION (RIGHT HAND)
 •Standard finishes: ZN, GRN



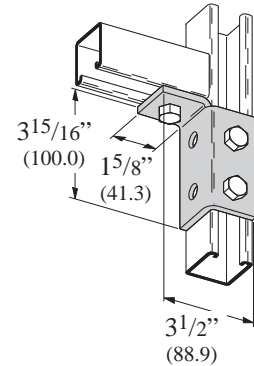
P270L
FOUR HOLE SINGLE CORNER CONNECTION (LEFT HAND)
 •Standard finishes: ZN, GRN



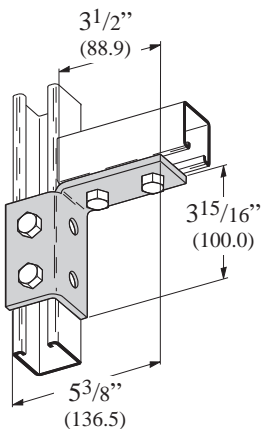
P268R
FIVE HOLE SINGLE CORNER CONNECTION (RIGHT HAND)
 •Standard finishes: ZN, GRN



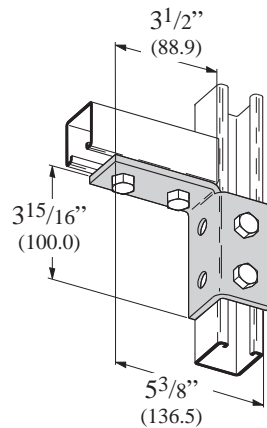
P268L
FIVE HOLE SINGLE CORNER CONNECTION (LEFT HAND)
 •Standard finishes: ZN, GRN



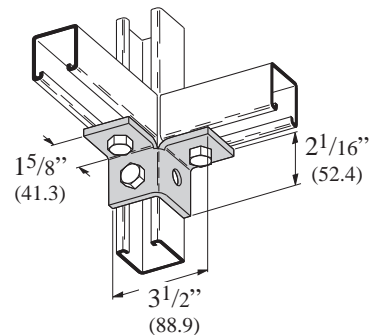
P269R
SIX HOLE SINGLE CORNER CONNECTION (RIGHT HAND)
 •Standard finishes: ZN, GRN



P269L
SIX HOLE SINGLE CORNER CONNECTION (LEFT HAND)
 •Standard finishes: ZN, GRN

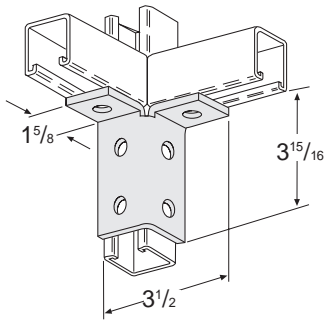


P119
FOUR HOLE DOUBLE CORNER CONNECTION
 •Standard finishes: ZN, GRN

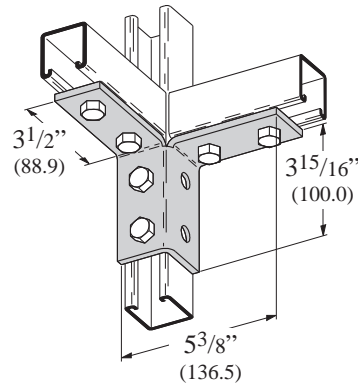


WING-FITTINGS

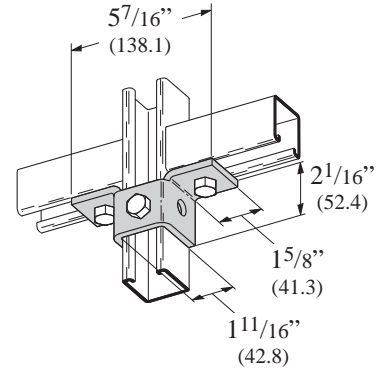
P120
SIX HOLE DOUBLE
CORNER CONNECTION
 •Standard finishes: ZN, GRN



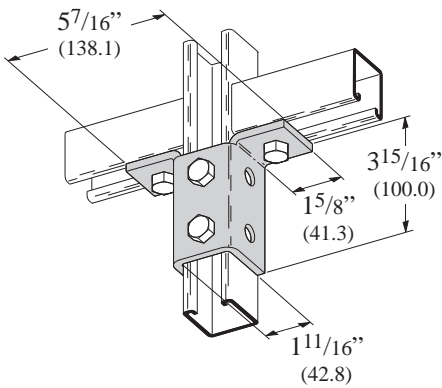
P121
EIGHT HOLE DOUBLE
CORNER CONNECTION
 •Standard finishes: ZN, GRN



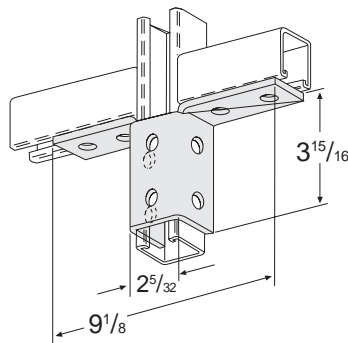
P271
FIVE HOLE DOUBLE
WING CONNECTION
 •Standard finishes: ZN, GRN



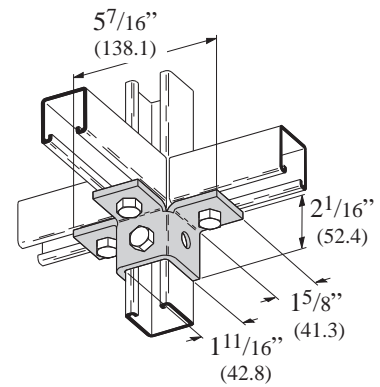
P272
EIGHT HOLE DOUBLE
WING CONNECTION
 •Standard finishes: ZN, GRN



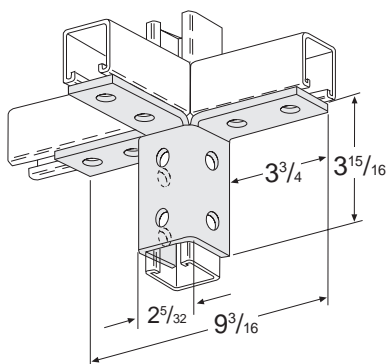
P273
TEN HOLE DOUBLE
WING CONNECTION
 •Standard finishes: ZN, GRN



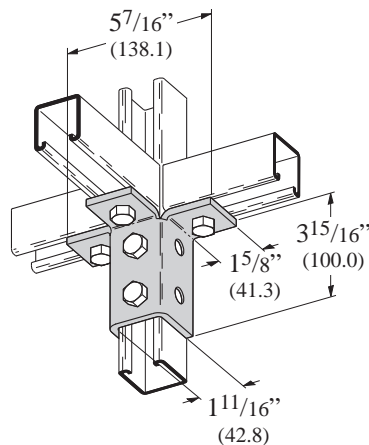
P122
SIX HOLE TRIPLE
WING CONNECTION
 •Standard finishes: ZN, GRN



P123
TWELVE HOLE TRIPLE
WING CONNECTION
 •Standard finishes: ZN, GRN



P124
NINE HOLE TRIPLE
WING CONNECTION
 •Standard finishes: ZN, GRN



P276
FOURTEEN HOLE DOUBLE
CORNER GUSSETED CONNECTION
 •Standard finishes: ZN, GRN

