

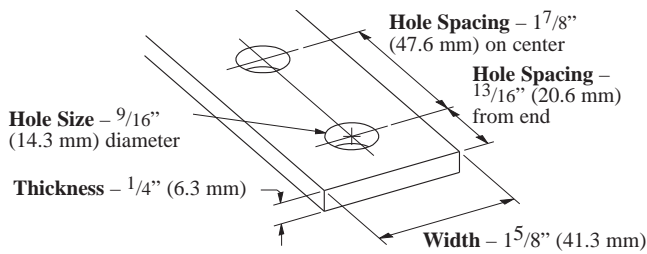
U Fittings

FITTINGS

This section offers a full selection of fittings and accessories to complete metal framing system. Fittings are made from hot rolled, pickled and oiled plate or strip steel in accordance with ASTM A1018 33,000 PSI min. yield, unless noted.

Dimensions

The following dimensions apply to all fittings except as noted:



Materials & Finishes (Unless otherwise noted)

Finish Code	Finish	Specification
PLN	Plain	ASTM A1018 33,000 PSI min. yield
ZN	Electro-Plated Zinc	ASTM B633 SC3 Type III
GRN	Dura-Green	TT-C-490B
HDG	Hot-Dipped Galvanized	ASTM A123
SS4	Stainless Steel Type 304	ASTM A240
SS6	Stainless Steel Type 316	ASTM A240

Note: A minimum order may apply on special material and finishes.

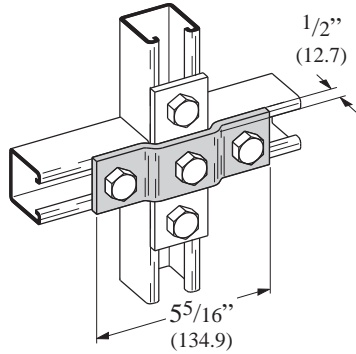
Recommended Bolt Torque

Bolt Size	$\frac{1}{4}$ "-20	$\frac{5}{16}$ "-18	$\frac{3}{8}$ "-16	$\frac{1}{2}$ "-13
Foot/Lbs.	6	11	19	50
Nm	8	15	26	68

U-FITTINGS

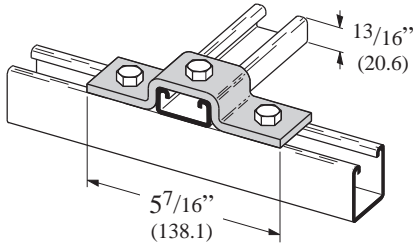
P527
THREE HOLE OFFSET PLATE CONNECTION

•Standard finishes: ZN, GRN



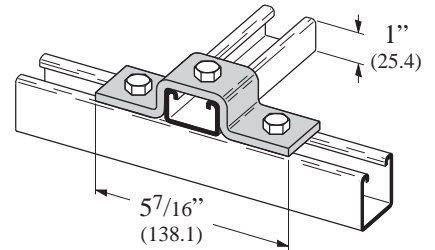
P116-52
THREE HOLE U-SUPPORT

•Standard finishes: ZN, GRN



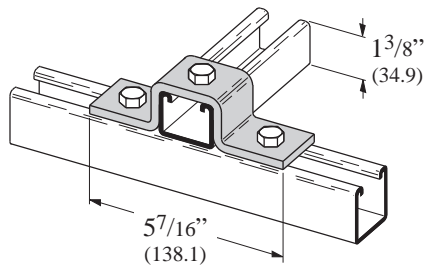
P116-42
THREE HOLE U-SUPPORT

•Standard finishes: ZN, GRN



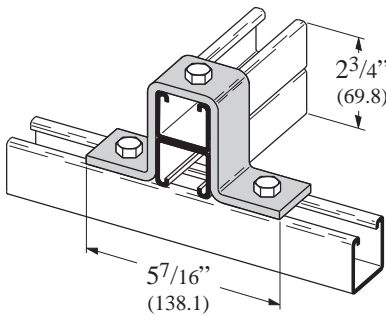
P116-32
THREE HOLE U-SUPPORT

•Standard finishes: ZN, GRN



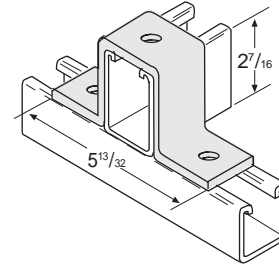
P116-32A
THREE HOLE U-SUPPORT

•Standard finishes: ZN, GRN



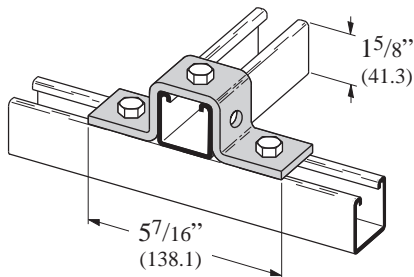
P116-12
THREE HOLE U-SUPPORT

•Standard finishes: ZN, GRN



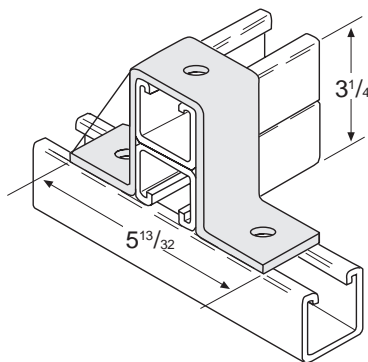
P107
FIVE HOLE U-SUPPORT

•Standard finishes: ZN, GRN, HDG



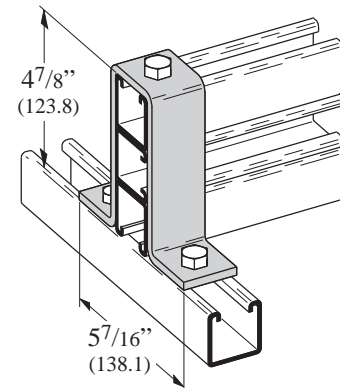
P107-22A
THREE HOLE U-SUPPORT

•Standard finishes: ZN, GRN



P588
THREE HOLE U-SUPPORT

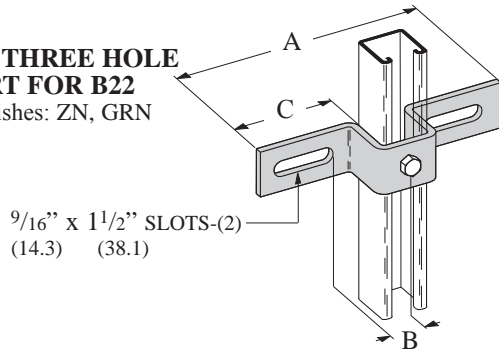
•Standard finishes: ZN, GRN



U-FITTINGS

P333 SLOTTED THREE HOLE U-SUPPORT FOR B22

•Standard finishes: ZN, GRN

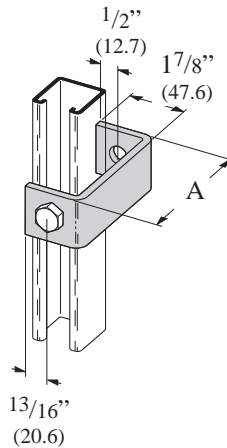


9/16" x 1 1/2" SLOTS-(2)
(14.3) (38.1)

Part No.	A	B	C	Wt./C Lbs.
P333-1	7 1/2"	15/16"	27/8"	103
P333-2	8 1/2"	1 15/16"	3 3/8"	115
P333-3	10 3/8"	27/8"	4 5/16"	135

P408 TWO HOLE BUS DUCT CLEVIS

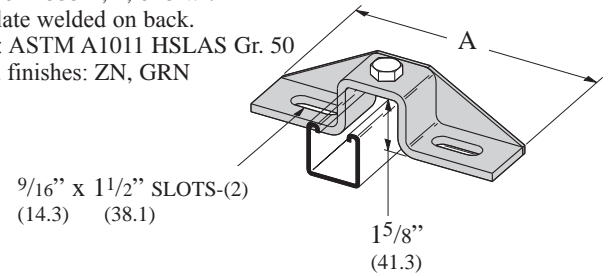
•Standard finishes: ZN, GRN



Part No.	A	Wt./C Lbs.
P408-1	2 13/32"	58
P408-2	3 25/32"	76
P408-3	4 3/4"	88

P451 SLOTTED THREE HOLE U-SUPPORT WITH GUSSET FOR B22

•Consists of B333-1, 2, or 3 with
gusset plate welded on back.
•Material: ASTM A1011 HSLAS Gr. 50
•Standard finishes: ZN, GRN



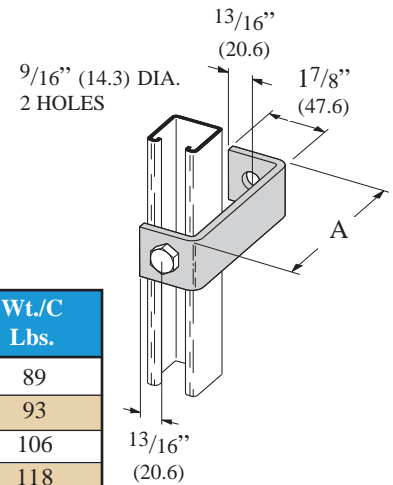
9/16" x 1 1/2" SLOTS-(2)
(14.3) (38.1)

1 5/8"
(41.3)

Part No.	A	Wt./C Lbs.
P451-1	7 1/2"	137
P451-2	8 1/2"	156
P451-3	10 3/8"	172

P358 TWO HOLE CLEVIS

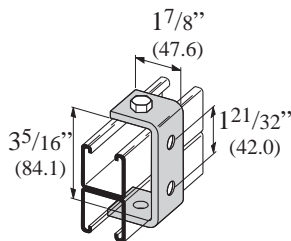
•Standard finishes: ZN, GRN



Part No.	A	Wt./C Lbs.
P358-4	4"	89
P358-5	5"	93
P358-6	6"	106
P358-7	7"	118
P358-8	8"	132

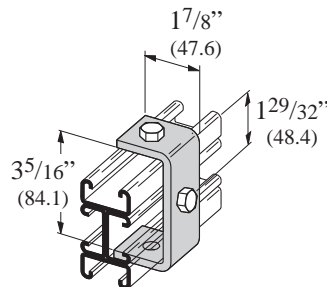
P173 FOUR HOLE CLEVIS

•Standard finishes: ZN, GRN



P595 THREE HOLE CLEVIS

•Standard finishes: ZN, GRN



P405 THREE HOLE SUSPENSION CLEVIS

•Standard finishes: ZN, GRN

