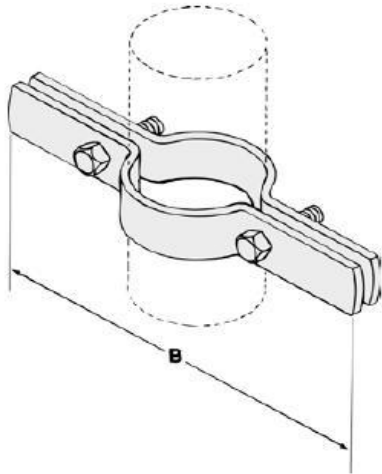




RISER CLAMPS

RISER CLAMPS P550 & P550Z

Surface Finish: P 550: Plain, Black; P550Z Electro-Galvanized



Functions: Designed for supporting and stabilizing vertical pipe runs.

Approvals: Complies with Manufacturer's Standardization Society SP-69 (Type 8).

Material: Low carbon steel, available in stainless steel to order, specify 304, 316

Ordering: Specify pipe size and figure number

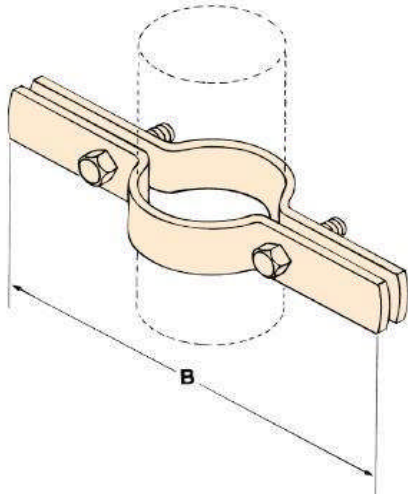
Pipe Size (inch)	B (inch)	Bolt Size (inch)	Material Size (inch)	Max. Rec. Load/lbs	Wt. Each (in lbs)
1/2	9	3/8 X 1 1/4	7 ga X 1-1/4	220	1.05
3/4	9 3/8	3/8 X 1 1/4	7 ga X 1-1/4	220	1.05
1	9 5/8	3/8 X 1 1/4	7 ga X 1-1/4	220	1.05
1 1/4	10	3/8 X 1 1/4	7 ga X 1-1/4	250	1.10
1 1/2	10 3/8	3/8 X 1 1/4	7 ga X 1-1/4	250	1.17
2	10 3/4	3/8 X 1 1/4	7 ga X 1-1/4	300	1.20
2 1/2	11 1/4	3/8 X 1 1/2	3 ga X 1-1/4	400	1.89
3	11 3/4	3/8 X 1 1/2	3 ga X 1-1/4	500	1.99
3 1/2	13	3/8 X 1 1/2	3 ga X 1-1/4	600	2.17
4	13 1/2	1/2 X 1 3/4	3 ga X 1-1/4	750	2.21
5	14 1/2	1/2 X 1 3/4	3/8 X 1-1/2	1500	3.24
6	16	1/2 X 1 3/4	3/8 X 1-1/2	1600	3.89
8	18	5/8 X 2	3/8 X 1-1/2	2500	7.60
10	21 1/2	5/8 X 2	3/8 X 2	2500	11.10
12	23	5/8 X 2 1/2	1/2 X 2	2700	16.50
14	25	5/8 X 3	1/2 X 2	2700	17.70
16	26 1/4	3/4 X 3 1/2	5/8 X 2-1/2	2900	30.40
18	28 3/8	3/4 X 3 1/2	5/8 X 2-1/2	2900	33.30
20	30	3/4 X 3 1/2	5/8 X 2-1/2	2900	36.30
24	34 3/4	7/8 X 3 1/2	5/8 X 3	2900	48.68
30	40 3/4	7/8 X 3 1/2	5/8 X 3	2900	60.16



RISER CLAMPS

COPPER TUBING RISER CLAMP P552

Surface Finish: P 552: Copper Finishing



Functions: Designed for supporting and stabilizing vertical pipe runs.

Approvals: Complies with Manufacturer's Standardization Society SP-69 (Type 8).

Material: Low carbon steel, available in stainless steel to order, specify 304, 316

Ordering: Specify pipe size and figure number

Pipe Size (inch)	B (inch)	Bolt Size (inch)	Material Size (inch)	Max. Rec. Load/lbs	Wt. Each (in lbs)
1/2	6 ¹¹ /16	3/8 X 1-1/2	11 ga X 1	75	.50
3/4	7	3/8 X 1-1/2	11 ga X 1	75	0.52
1	8 ³ /4	3/8 X 1-1/2	11 ga X 1	120	0.64
1 ¹ /4	9	3/8 X 1-1/2	11 ga X 1	150	0.65
1 ¹ /2	9 ³ /8	3/8 X 1-1/2	11 ga X 1	150	.70
2	9 ¹⁵ /16	3/8 X 1-1/2	11 ga X 1-1/4	150	0.98
2 ¹ /2	10 ¹ /2	3/8 X 1-1/2	7 ga X 1-1/4	300	1.09
3	11	3/8 X 1-1/2	7 ga X 1-1/4	300	1.17
3 ¹ /2	12 ³ /16	3/8 X 1-1/2	7 ga X 1-1/4	300	1.53
4	1 2 ⁵ /8	3/8 X 1-1/2	7 ga X 1-1/4	300	1.67
5	14 ¹ /8	1/2 X 1-3/4	7 ga X 1-1/4	500	2.42
6	15	1/2 X 1-3/4	7 ga X 1-1/4	500	2.68