



PIPE CLAMPS

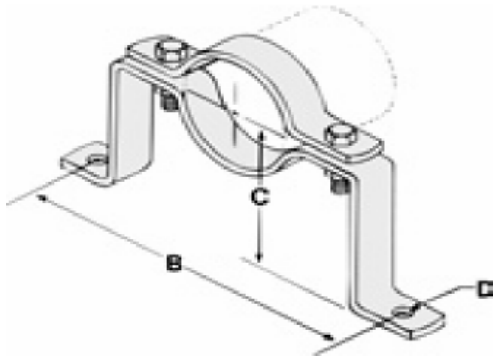
OFFSET PIPE CLAMP P535

Surface Finish: P 535: Plain, Black

Industrial pipe hanger to support pipeing away from wall or floor

Material: Low carbon steel, available in stainless steel to order, specify 304, 316

Ordering: Specify pipe size and figure number



Pipe Size (inch)	B (inch)	C (inch)	D (inch)	Material Size (inch)	Bolt Size (inch)	Max. Rec. Load/lbs	Wt. Each (in lbs)
3/4	5 ⁷ / ₈	2 ¹ / ₂	7/16	7 ga X 1-1/4	3/8	190	0.87
1	6	2 ⁵ / ₈	7/16	7 ga X 1-1/4	3/8	190	0.92
1 ¹ / ₄	6 ¹ / ₂	2 ³ / ₄	7/16	7 ga X 1-1/4	3/8	190	1.15
1 ¹ / ₂	6 ⁹ / ₁₆	3	7/16	7 ga X 1-1/4	3/8	190	1.24
2	7 ¹¹ / ₁₆	3 ³ / ₁₆	7/16	3 ga X 1-1/4	3/8	420	1.56
2 ¹ / ₂	8 ³ / ₈	3 ⁷ / ₁₆	7/16	3 ga X 1-1/4	3/8	420	1.78
3	8 ¹³ / ₁₆	3 ¹ / ₂	7/16	3 ga X 1-1/4	3/8	420	1.98
3 ¹ / ₂	9 ³ / ₄	4	7/16	3 ga X 1-1/4	3/8	420	2.45
4	11	4 ¹ / ₄	9/16	3 ga X 1-1/4	1/2	610	3.00
5	12 ¹ / ₈	4 ³ / ₄	9/16	3 ga X 1-1/4	1/2	610	3.50
6	14 ³ / ₈	5 ⁵ / ₁₆	9/16	3/8 X 1-1/2	1/2	870	6.50
8	16 ¹ / ₂	6 ⁵ / ₁₆	9/16	3/8 X 1-1/2	1/2	870	7.90
10	19 ¹ / ₈	7 ³ / ₄	1 ¹ / ₁₆	3/8 X 2	5/8	870	12.70
12	25 ¹ / ₂	8 ⁷ / ₈	1 ¹ / ₁₆	3/8 X 2	5/8	870	21.20