

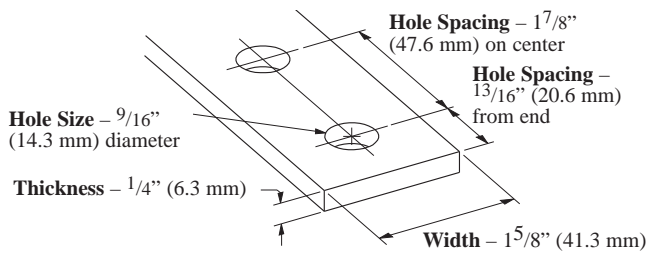
Flat Plate Fittings

FITTINGS

This section offers a full selection of fittings and accessories to complete metal framing system. Fittings are made from hot rolled, pickled and oiled plate or strip steel in accordance with ASTM A1018 33,000 PSI min. yield, unless noted.

Dimensions

The following dimensions apply to all fittings except as noted:



Materials & Finishes (Unless otherwise noted)

Finish Code	Finish	Specification
PLN	Plain	ASTM A1018 33,000 PSI min. yield
ZN	Electro-Plated Zinc	ASTM B633 SC3 Type III
GRN	Dura-Green	TT-C-490B
HDG	Hot-Dipped Galvanized	ASTM A123
SS4	Stainless Steel Type 304	ASTM A240
SS6	Stainless Steel Type 316	ASTM A240

Note: A minimum order may apply on special material and finishes.

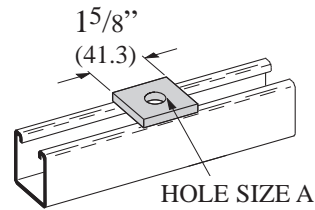
Recommended Bolt Torque

Bolt Size	$\frac{1}{4}$ "-20	$\frac{5}{16}$ "-18	$\frac{3}{8}$ "-16	$\frac{1}{2}$ "-13
Foot/Lbs.	6	11	19	50
Nm	8	15	26	68

FLAT PLATE FITTINGS

P200-P202-2

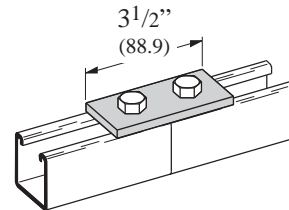
•Standard finishes: ZN, GRN, HDG, SS4, SS6,



P129

TWO HOLE SPLICE PLATE

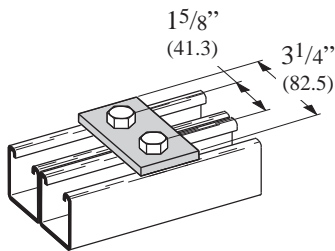
•Standard finishes: ZN, GRN



P340

TWO HOLE SPLICE PLATE

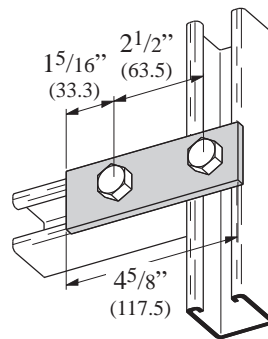
•Standard finishes: ZN, GRN



P528

TWO HOLE SPLICE PLATE

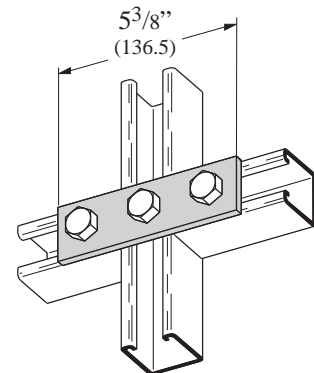
•Standard finishes: ZN, GRN



P141

THREE HOLE SPLICE PLATE

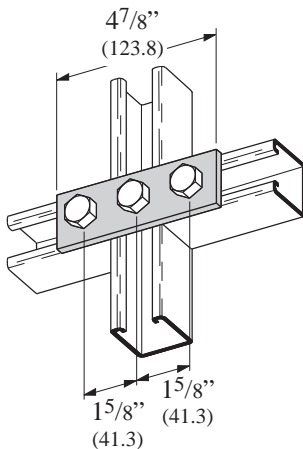
•Standard finishes: ZN, GRN



P557

THREE HOLE SPLICE PLATE

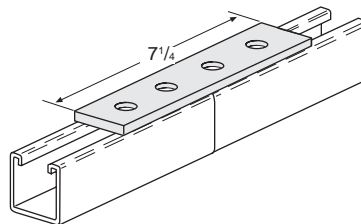
•Standard finishes: ZN, GRN



P341

FOUR HOLE SPLICE PLATE

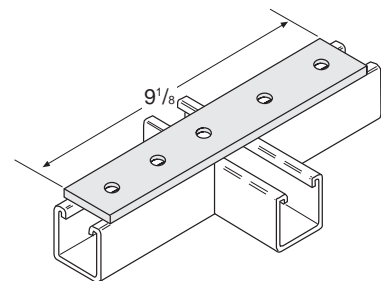
•Standard finishes: ZN, GRN, HDG



P342

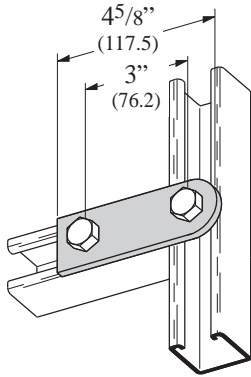
FIVE HOLE SPLICE PLATE

•Standard finishes: ZN, GRN

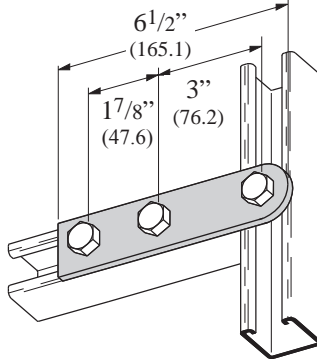


FLAT PLATE FITTINGS

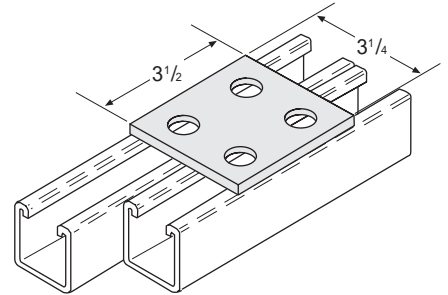
P138
TWO HOLE SWIVEL PLATE
 •Standard finishes: ZN, GRN



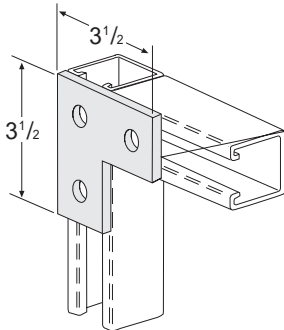
P139
THREE HOLE SWIVEL PLATE
 •Standard finishes: ZN, GRN



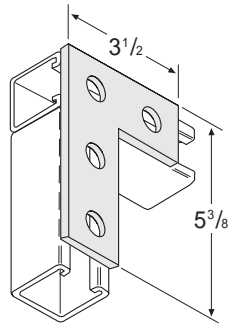
P504
FOUR HOLE SPLICE PLATE
 •Standard finishes: ZN, GRN



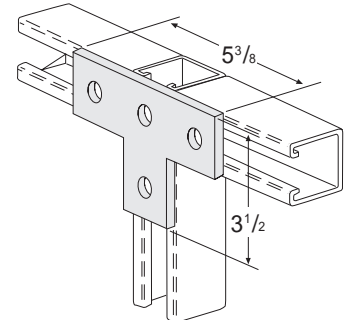
P140
THREE HOLE CORNER PLATE
 •Standard finishes: ZN, GRN, HDG, SS4



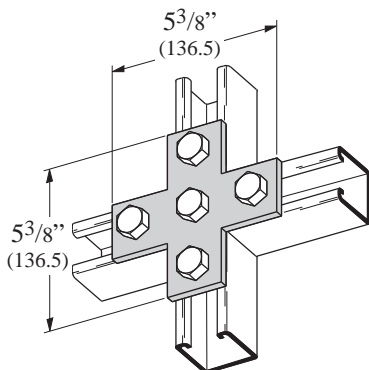
P143
FOUR HOLE CORNER PLATE
 •Standard finishes: ZN, GRN, HDG, SS4



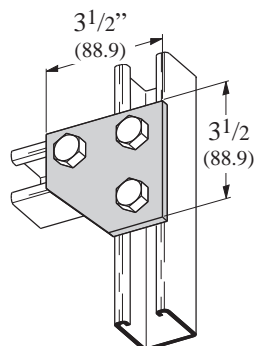
P133
FOUR HOLE TEE PLATE
 •Standard finishes: ZN, GRN, HDG, SS4, AL



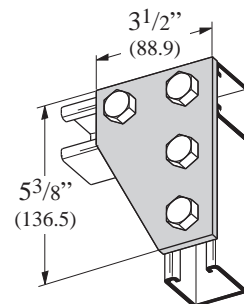
P132
FIVE HOLE CROSS PLATE
 •Standard finishes: ZN, GRN, HDG



P135
THREE HOLE CORNER GUSSET PLATE
 •Standard finishes: ZN, GRN



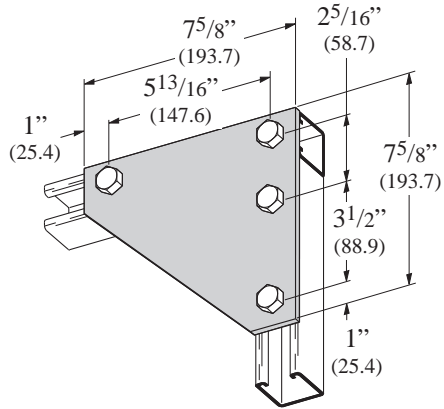
P142
FOUR HOLE CORNER GUSSET PLATE
 •Standard finishes: ZN, GRN, HDG



FLAT PLATE FITTINGS

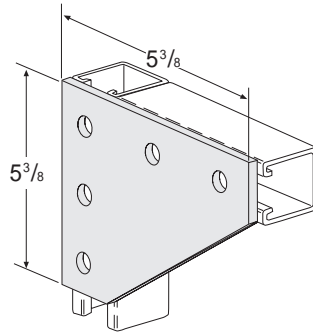
P137 FOUR HOLE CORNER GUSSET PLATE

•Standard finishes: ZN, GRN



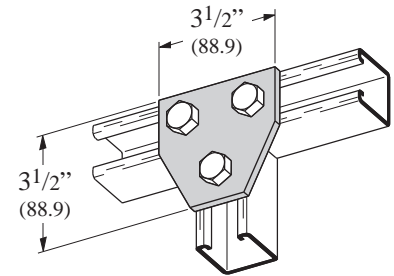
P556 FIVE HOLE CORNER GUSSET PLATE

•Standard finishes: ZN, GRN



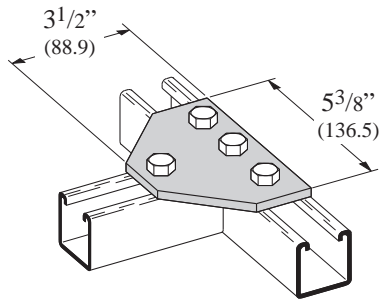
P337 THREE HOLE TEE GUSSET PLATE

•Standard finishes: ZN, GRN



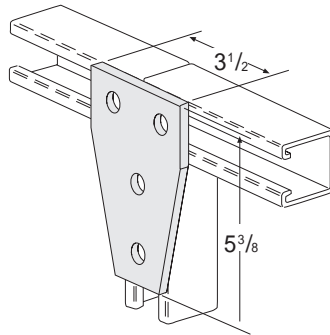
P432 FOUR HOLE TEE GUSSET PLATE

•Standard finishes: ZN, GRN



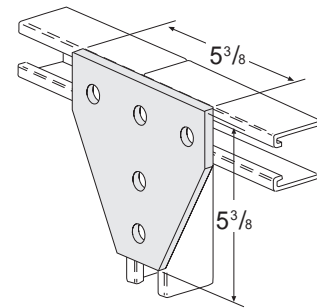
P136 FOUR HOLE TEE GUSSET PLATE

•Standard finishes: ZN, GRN, HDG



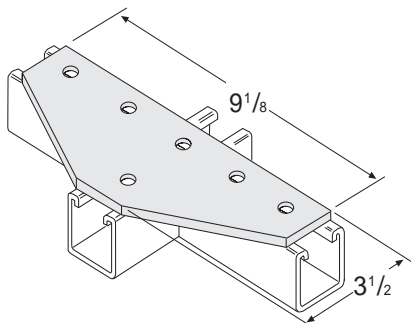
P532 FIVE HOLE TEE GUSSET PLATE

•Standard finishes: ZN, GRN



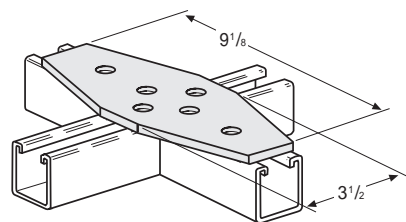
P339 SIX HOLE TEE GUSSET PLATE

•Standard finishes: ZN, GRN



P568 SIX HOLE CROSS GUSSET PLATE

•Standard finishes: ZN, GRN



P334 SEVEN HOLE CROSS GUSSET PLATE

•Standard finishes: ZN, GRN

