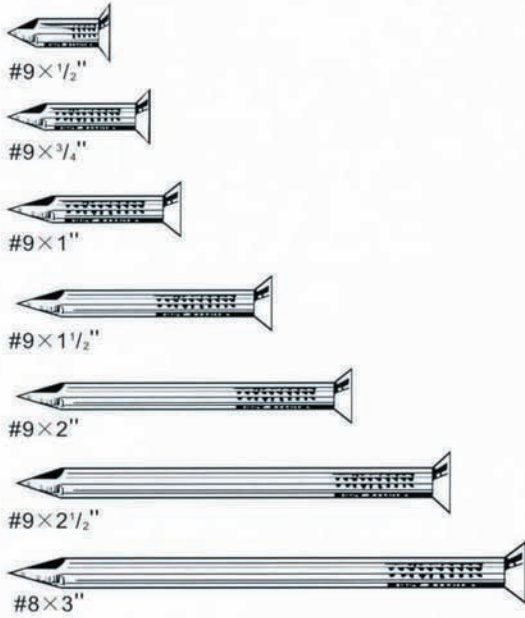


# CONCRETE NAILS

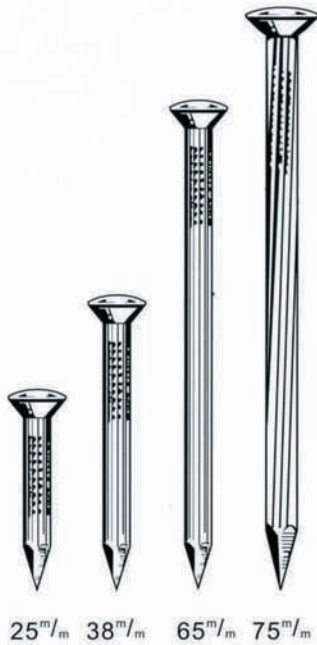
Steel Wire, Flat Countersunk Head, Diamond or Needle Point, Flutes or Smooth Shank.  
Available: Bright, E.G., C.C., V.C., H.D.G. and P.C. Finish.



**A**

Size (A.S.W.G.)	Diam of Head in.	Approx. Number Per lb
#9 x 1/2	3/8	335
9 x 5/8	"	279
9 x 3/4	"	248
9 x 1	"	186
9 x 1 1/4	"	152
9 x 1 1/2	"	128
9 x 1 3/4	"	112
9 x 2	"	98
9 x 2 1/2	"	78
9 x 3	"	
8 x 2 3/4	13/32	56
8 x 3	"	52
7 x 3 1/2	7/16	38

Length is overall. Flat Hed Length is from the point to the underside of the head.



**B**

Size (A.S.W.G.)	Diam of Head in.	Approx. Number Per lb
#9 x 25 <sup>m</sup> / <sub>m</sub>	7 <sup>m</sup> / <sub>m</sub>	173
9 x 38 <sup>m</sup> / <sub>m</sub>	"	122
9 x 50 <sup>m</sup> / <sub>m</sub>	"	93
8 x 65 <sup>m</sup> / <sub>m</sub>	8 <sup>m</sup> / <sub>m</sub>	63
7 x 75 <sup>m</sup> / <sub>m</sub>	9 <sup>m</sup> / <sub>m</sub>	42

Length is overall.