

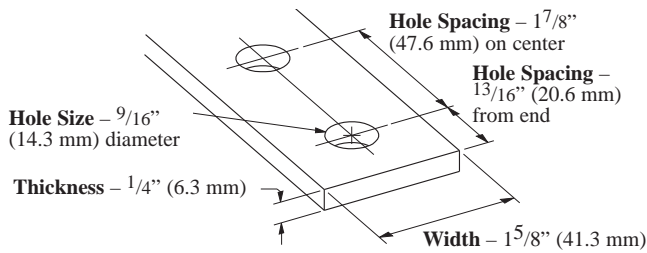
Clevis Fittings

FITTINGS

This section offers a full selection of fittings and accessories to complete metal framing system. Fittings are made from hot rolled, pickled and oiled plate or strip steel in accordance with ASTM A1018 33,000 PSI min. yield, unless noted.

Dimensions

The following dimensions apply to all fittings except as noted:



Materials & Finishes (Unless otherwise noted)

Finish Code	Finish	Specification
PLN	Plain	ASTM A1018 33,000 PSI min. yield
ZN	Electro-Plated Zinc	ASTM B633 SC3 Type III
GRN	Dura-Green	TT-C-490B
HDG	Hot-Dipped Galvanized	ASTM A123
SS4	Stainless Steel Type 304	ASTM A240
SS6	Stainless Steel Type 316	ASTM A240

Note: A minimum order may apply on special material and finishes.

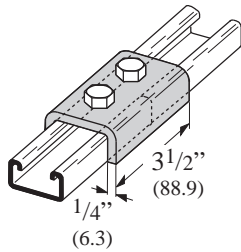
Recommended Bolt Torque

Bolt Size	$\frac{1}{4}$ "-20	$\frac{5}{16}$ "-18	$\frac{3}{8}$ "-16	$\frac{1}{2}$ "-13
Foot/Lbs.	6	11	19	50
Nm	8	15	26	68

CLEVIS FITTINGS

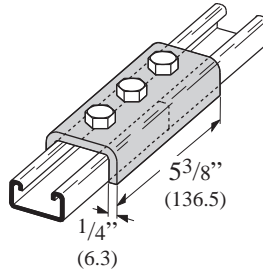
P169
TWO HOLE SPLICE
CLEVIS FOR B52

•Standard finishes: ZN, GRN



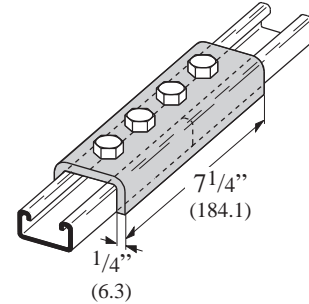
P168
THREE HOLE SPLICE
CLEVIS FOR B52

•Standard finishes: ZN, GRN



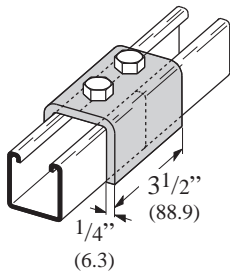
P167
FOUR HOLE SPLICE
CLEVIS FOR B52

•Standard finishes: ZN, GRN



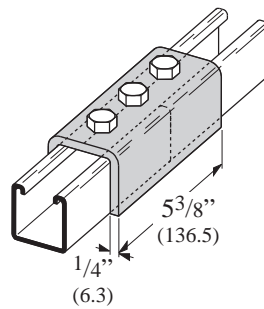
P170
TWO HOLE SPLICE
CLEVIS FOR B22 OR B52A

•Standard finishes: ZN, GRN



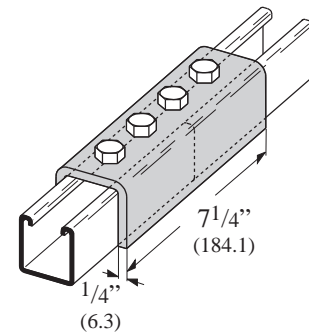
P171
THREE HOLE SPLICE
CLEVIS FOR B22 OR B52A

•Standard finishes: ZN, GRN



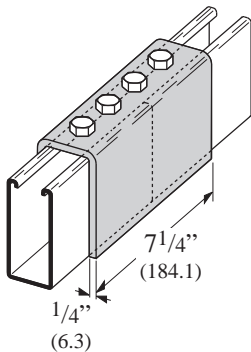
P172
FOUR HOLE SPLICE
CLEVIS FOR B22 OR B52A

•Standard finishes: ZN, GRN



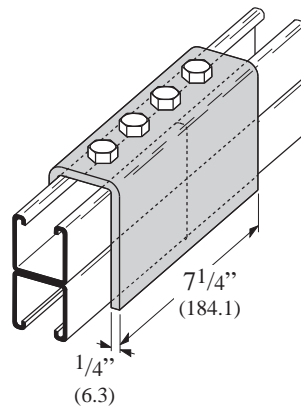
P172-12
FOUR HOLE SPLICE
CLEVIS FOR B12

•Standard finishes: ZN, GRN



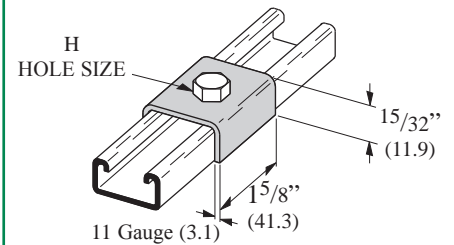
P172-22A
FOUR HOLE SPLICE
CLEVIS FOR B11 OR B22A

•Standard finishes: ZN, GRN



P450
U-WASHER

•Material: ASTM A1011 HSLAS Gr. 50
 •Standard finishes: ZN, GRN



Part No. & Size	Hole Size H	Wt./C Lbs.
P450-1/4	5/16"	14
P450-3/8	7/16"	14
P450-1/2	9/16"	13
P450-5/8	11/16"	13
P450-3/4	13/16"	13