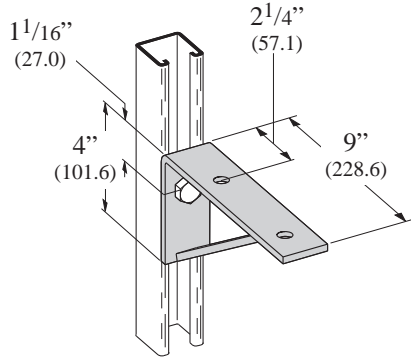


BRACKETS

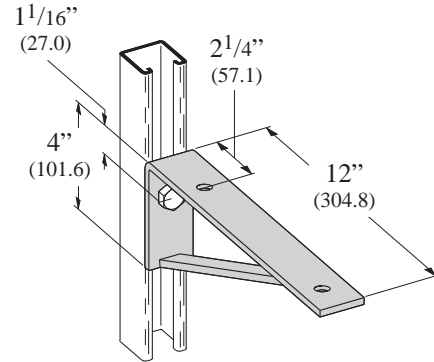
P187 BRACKETS

•Standard finishes: ZN, GRN



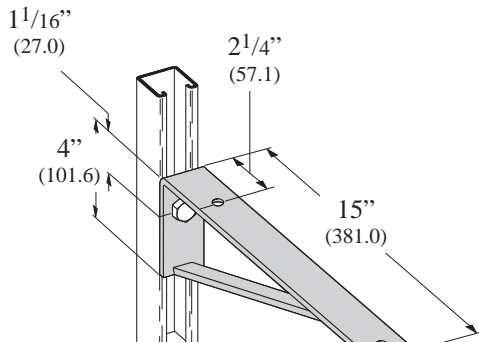
P188 BRACKETS

•Standard finishes: ZN, GRN



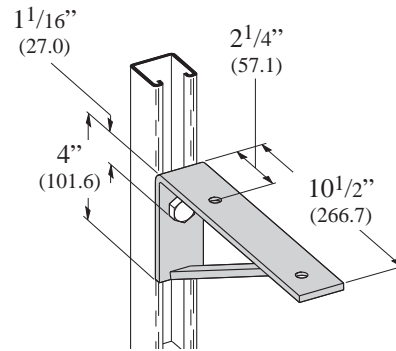
P189 BRACKETS

•Standard finishes: ZN, GRN



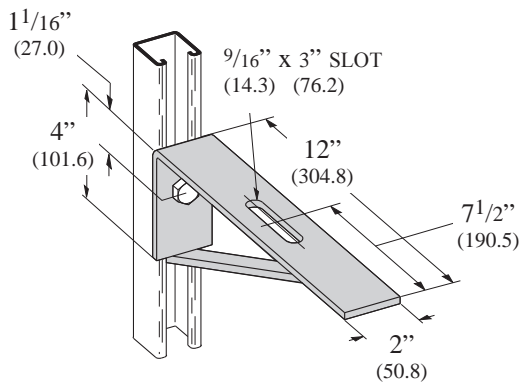
P541 BRACKETS

•Standard finishes: ZN, GRN



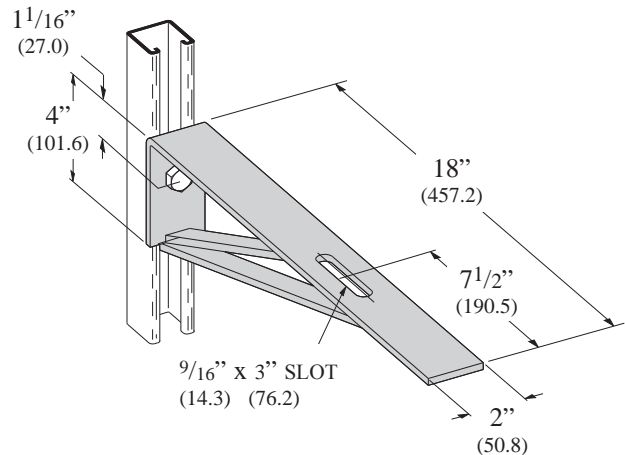
P190 12" (304.8) BRACKETS

•Standard finishes: ZN, GRN



P191-18 18" (457.2) BRACKETS

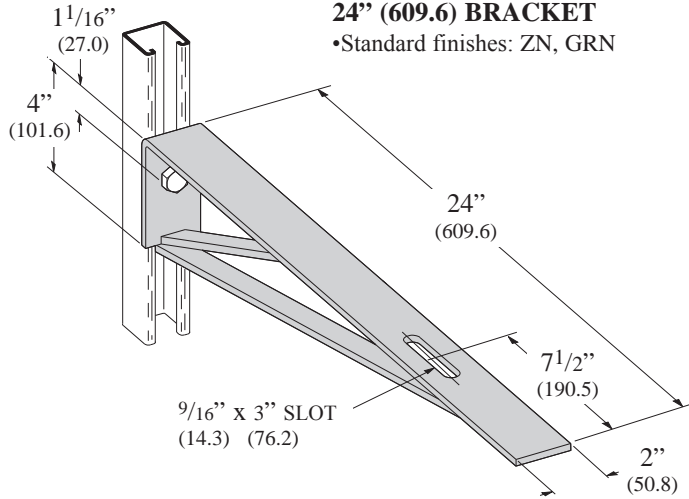
•Standard finishes: ZN, GRN



BRACKETS

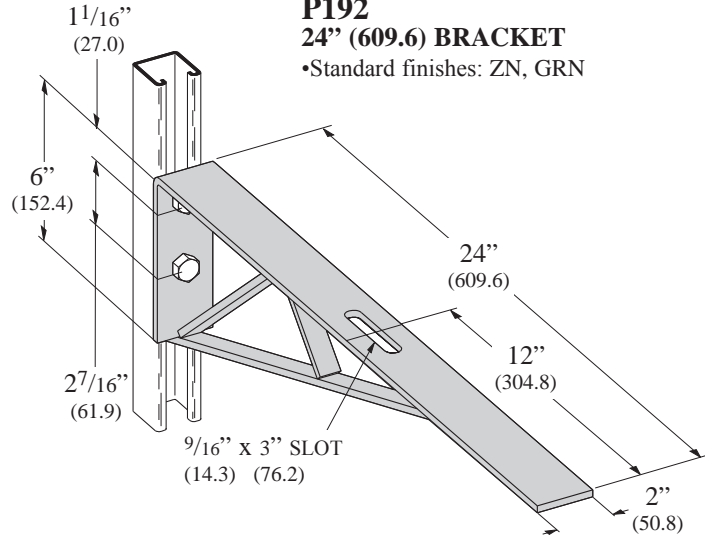
P191-24
24" (609.6) BRACKET

•Standard finishes: ZN, GRN



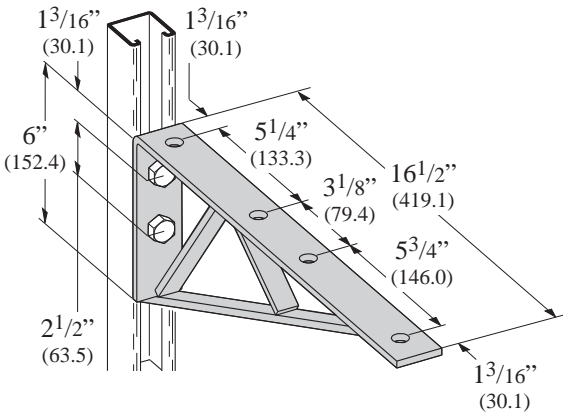
P192
24" (609.6) BRACKET

•Standard finishes: ZN, GRN



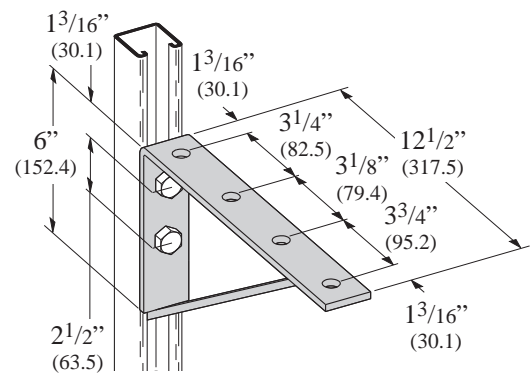
P290
16 1/2" (419.1) BRACKET

•Standard finishes: ZN, GRN



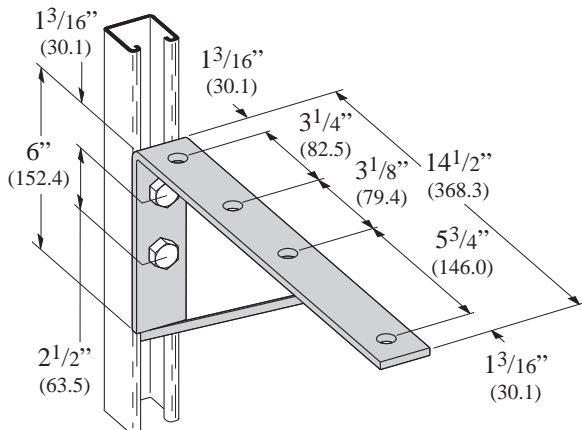
P289-12
12 1/2" (317.5) BRACKET

•Standard finishes: ZN, GRN



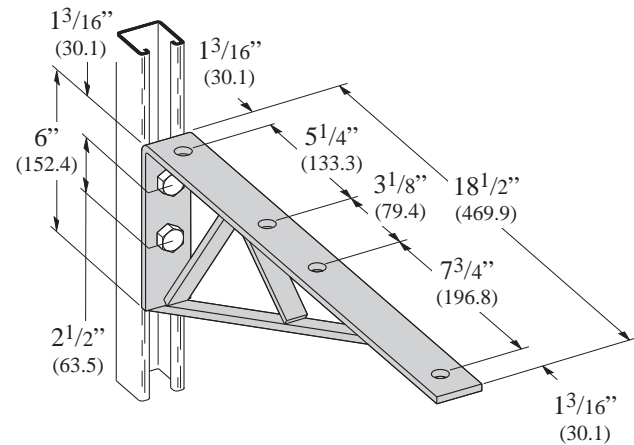
P289-14
14 1/2" (368.3) BRACKET

•Standard finishes: ZN, GRN



P291
18 1/2" (469.9) BRACKET

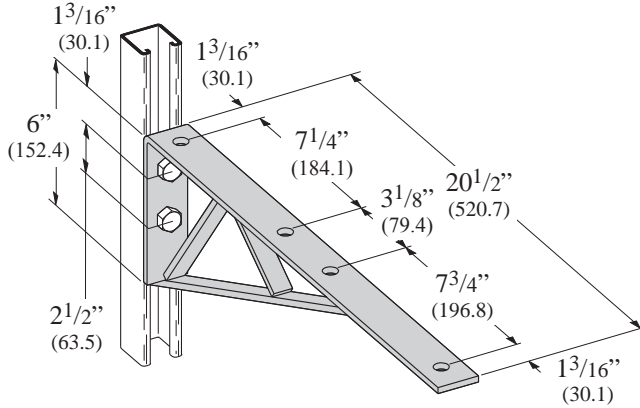
•Standard finishes: ZN, GRN



BRACKETS

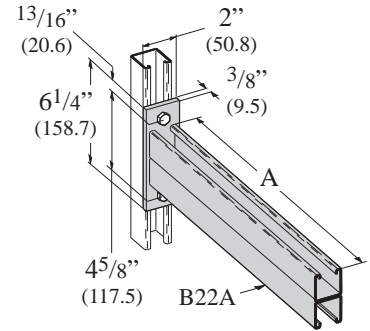
P292 20¹/₂" (520.7) BRACKET

•Standard finishes: ZN, GRN, HDG, SS4



P297 DOUBLE CHANNEL BRACKET

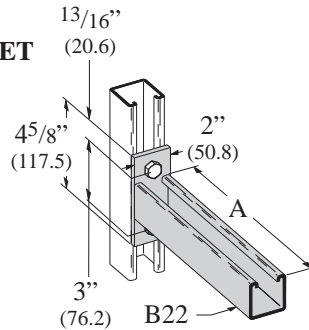
•Standard finishes:
ZN, GRN, HDG



Part No.	A	Uniform Load Lbs.	Wt./C Lbs.
P297-12	12"	1660	485
P297-18	18"	1100	668
P297-24	24"	835	857
P297-30	30"	665	1040
P297-36	36"	550	1240
P297-42	42"	465	1440

P409 SINGLE CHANNEL BRACKET

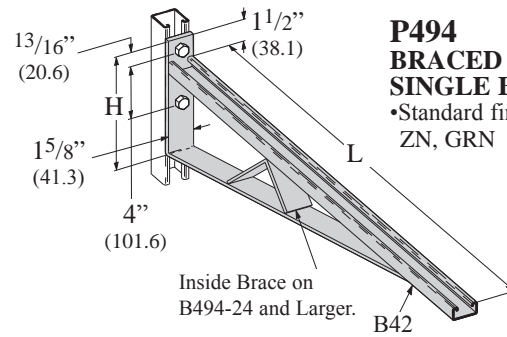
•Standard finishes: ZN, GRN, SS4



Part No.	A	Uniform Load Lbs.	Wt./C Lbs.
P409-6	6"	1920	152
P409-9	9"	1280	195
P409-12	12"	960	232
P409-14	14"	800	274
P409-16	16"	730	314
P409-18	18"	640	347
P409-24	24"	480	450

P494 BRACED SINGLE BRACKET

•Standard finishes:
ZN, GRN

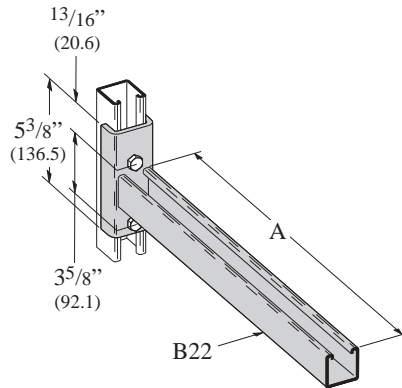


Part No.	L	H	Uniform Load Lbs.	Wt. /C Lbs.
P494-12	12"	8 ³ / ₄ "	1580	364
P494-18	18"	8 ³ / ₄ "	1000	479
P494-24	24"	8 ³ / ₄ "	996	716
P494-30	30"	11 ¹ / ₄ "	924	927
P494-36	36"	11 ¹ / ₄ "	864	1095
P494-42	42"	16"	580	1400
P494-48	48"	16"	500	1510

BRACKETS

P196 CHANNEL CLEVIS BRACKET

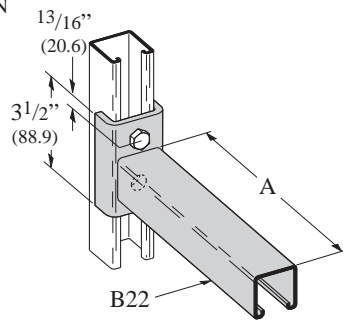
•Standard finishes:
ZN, GRN



Part No.	A	Uniform Load Lbs.	Wt./C Lbs.
P196-18	18"	600	430
P196-24	24"	450	510

P198A CHANNEL CLEVIS BRACKET

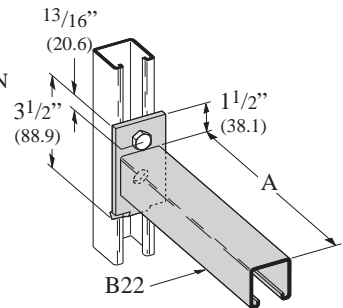
•Standard finishes: ZN, GRN



Part No.	A	Uniform Load Lbs.	Wt./C Lbs.
P198A-6	6"	1600	185
P198A-12	12"	800	284

P293A CHANNEL BRACKET

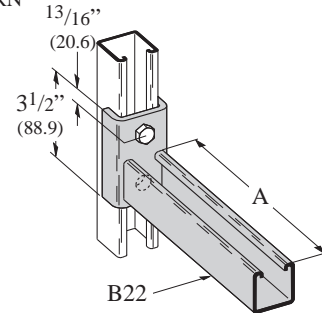
•Standard finishes: ZN, GRN



Part No.	A	Uniform Load Lbs.	Wt./C Lbs.
P293A-6	6"	1200	144
P293A-12	12"	600	252
P293A-18	18"	400	340
P293A-24	24"	300	412

P198 CHANNEL CLEVIS BRACKET

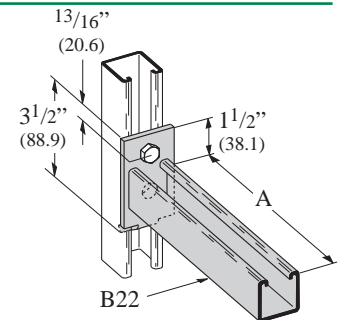
•Standard finishes: ZN, GRN



Part No.	A	Uniform Load Lbs.	Wt./C Lbs.
P198-6	6"	1600	185
P198-12	12"	800	284

P293 CHANNEL BRACKET

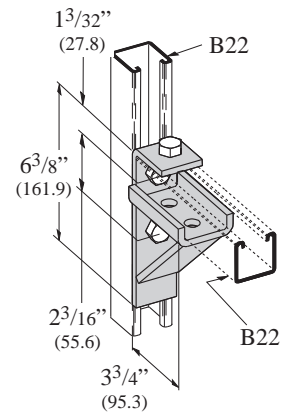
•Standard finishes: ZN, GRN



Part No.	A	Uniform Load Lbs.	Wt./C Lbs.
P293-6	6"	1200	144
P293-12	12"	600	252
P293-18	18"	400	340
P293-24	24"	300	412

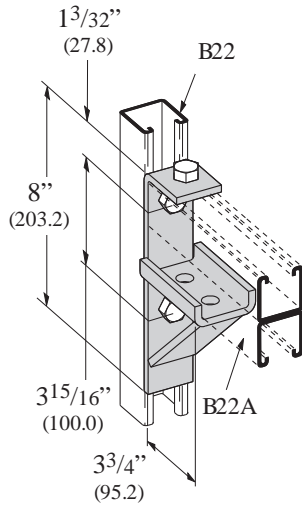
P194 BRACKET FOR B22 & B24

•Standard finishes: ZN, GRN

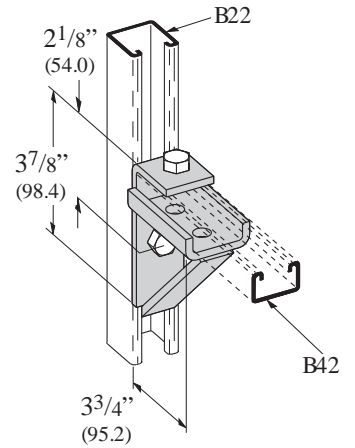


BRACKETS

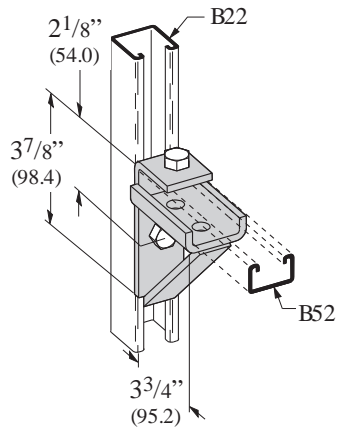
P370
BRACKET FOR B22A & B11
 •Standard finishes: ZN, GRN



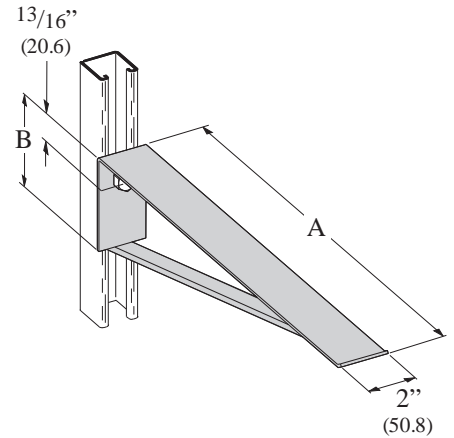
P195
BRACKET FOR B42
 •Standard finishes: ZN, GRN



P440
BRACKET FOR B52 & B54
 •Standard finishes: ZN, GRN



P449-4, 8 & 12
CABLE SADDLE
BRACKET



Part No.	A	B	Uniform Load Lbs.	Wt./C Lbs.
P449-4	4 1/2"	2 3/8"	2400	74
P449-8	8 1/2"	2 3/8"	1270	124
P449-12	12 1/2"	4"	860	184