

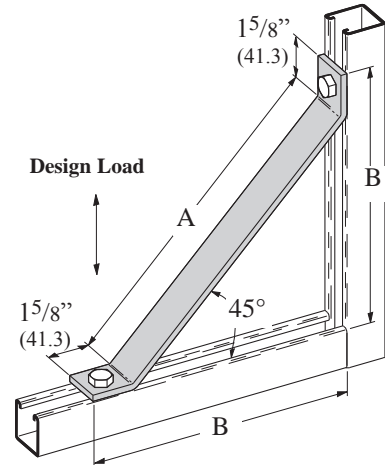
BRACES

P261

TWO HOLE 45° KNEE BRACE

- Standard finishes: ZN, GRN
- Design load determined by testing using a B335 hinged corner connection.

Part No.	A	B	Design Load Lbs.	Wt./C Lbs.
P261-8	8"	7 ³ / ₈ "	1500	119
P261-12	12"	10 ¹ / ₈ "	1020	165
P261-16	16 ⁵ / ₈ "	13 ³ / ₈ "	530	218
P261-18	18"	14 ⁷ / ₁₆ "	450	234
P261-24	24"	18 ¹¹ / ₁₆ "	250	303
P261-36	36"	27 ³ / ₁₆ "	110	441

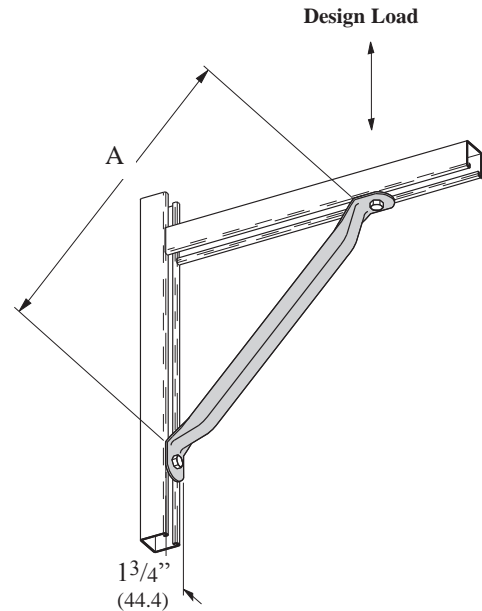


P631

TWO HOLE 45° TUBING KNEE BRACE

- 1" (25.4) Square steel tubing
- Material: ASTM A513
- Standard finishes: ZN, GRN

Part No.	A	Design Load Lbs.	Wt./C Lbs.
P631-18	18"	1500	145
P631-24	24"	1500	186
P631-30	30"	1500	225
P631-36	36"	1500	266
P631-42	42"	1230	307
P631-48	48"	940	348
P631-54	54"	740	389
P631-60	60"	600	430
P631-72	72"	420	508
P631-84	84"	310	589
P631-96	96"	240	669



P632

TWO HOLE STRAIGHT TUBING BRACE

- 1" (25.4) Square steel tubing
- Material: ASTM A513
- Standard finishes: ZN, GRN

Part No.	A	Wt./C Lbs.
P632-18	18"	133
P632-24	24"	174
P632-30	30"	215
P632-36	36"	256
P632-42	42"	295
P632-48	48"	335
P632-54	54"	380
P632-60	60"	420
P632-72	72"	500
P632-84	84"	585
P632-96	96"	670

