

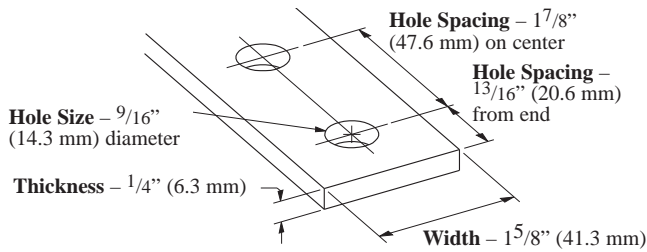
# Angle Fittings

## FITTINGS

This section offers a full selection of fittings and accessories to complete metal framing system. Fittings are made from hot rolled, pickled and oiled plate or strip steel in accordance with ASTM A1018 33,000 PSI min. yield, unless noted.

### Dimensions

The following dimensions apply to all fittings except as noted:



### Materials & Finishes (Unless otherwise noted)

Finish Code	Finish	Specification
PLN	Plain	ASTM A1018 33,000 PSI min. yield
ZN	Electro-Plated Zinc	ASTM B633 SC3 Type III
GRN	Dura-Green	TT-C-490B
HDG	Hot-Dipped Galvanized	ASTM A123
SS4	Stainless Steel Type 304	ASTM A240
SS6	Stainless Steel Type 316	ASTM A240

Note: A minimum order may apply on special material and finishes.

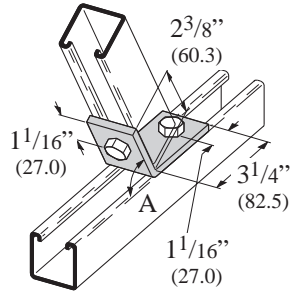
### Recommended Bolt Torque

Bolt Size	$1/4$ "-20	$5/16$ "-18	$3/8$ "-16	$1/2$ "-13
Foot/Lbs.	6	11	19	50
Nm	8	15	26	68

# ANGLE FITTINGS

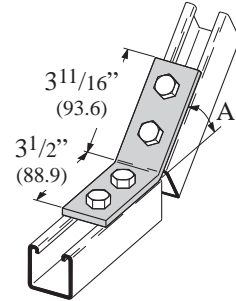
**P147**  
TWO HOLE OPEN ANGLE

•Standard finishes: ZN, GRN



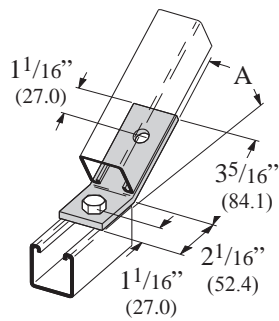
**P243**  
FOUR HOLE OPEN ANGLE

•Standard finishes: ZN, GRN



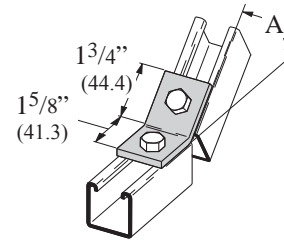
**P162**  
TWO HOLE OPEN ANGLE

•Standard finishes: ZN, GRN



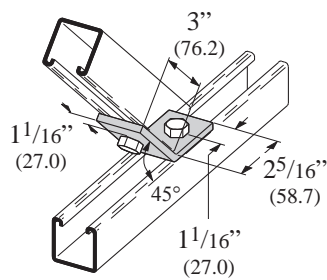
**P322**  
TWO HOLE OPEN SHORT ANGLE

•Standard finishes: ZN, GRN



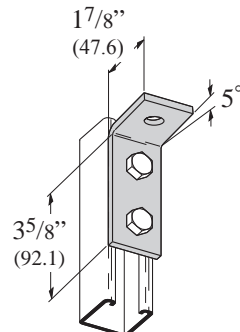
**P154**  
TWO HOLE OPEN ANGLE

•Standard finishes: ZN, GRN, SS4



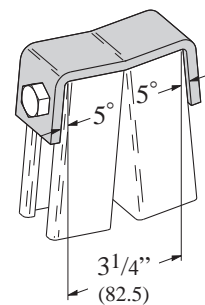
**P522**  
THREE HOLE 95°  
OPEN ANGLE FITTING

•Standard finishes: ZN, GRN



**P488**  
TWO HOLE LEG CONNECTION

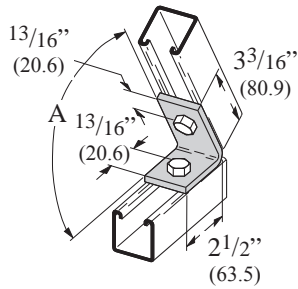
•Standard finishes: ZN, GRN



# ANGLE FITTINGS

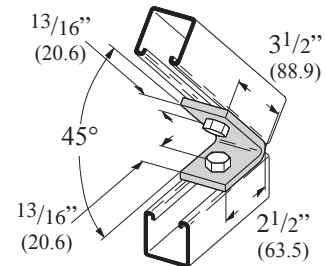
## P156 TWO HOLE CLOSED ANGLE

•Standard finishes: ZN, GRN



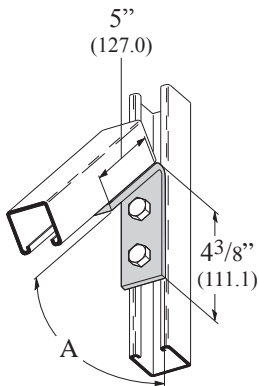
## P155 TWO HOLE CLOSED ANGLE

•Standard finishes: ZN, GRN, HDG, SS4  
•Wt./C 63 Lbs. (28.6 kg)



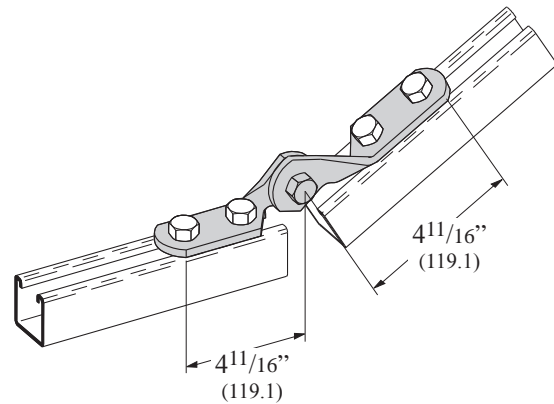
## P363 - P369 FOUR HOLE CLOSED ANGLE

•Standard finishes: ZN, GRN



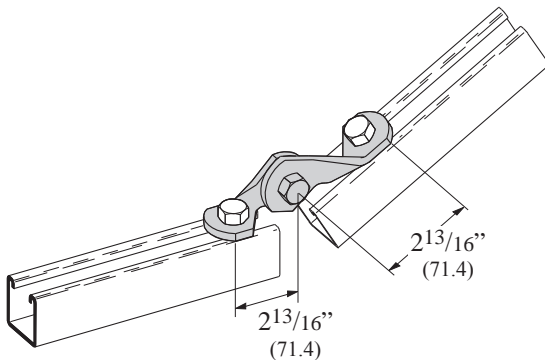
## P335 FOUR HOLE ADJUSTABLE HINGE

•Standard finishes: ZN, GRN



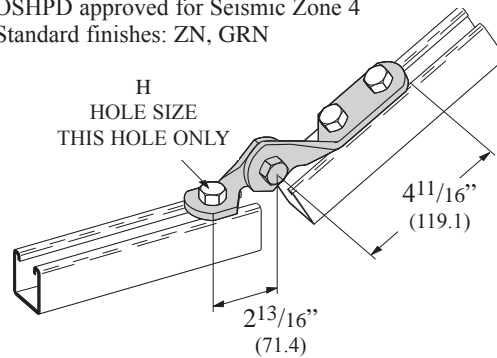
## P335-1 TWO HOLE ADJUSTABLE HINGE

•Standard finishes: ZN, GRN



## P335-2 SERIES THREE HOLE ADJUSTABLE HINGE

•OSHPD approved for Seismic Zone 4  
•Standard finishes: ZN, GRN



Part No. & Size	Hole Size H	Wt./C	
		Lbs.	kg
P335-2-3/8	7/16"	96	(43.2)
P335-2-1/2	9/16"	94	(42.3)
P335-2-5/8	11/16"	92	(41.4)
P335-2-3/4	13/16"	90	(40.5)